

## CC-318 GPS Tracker with Internet Control --201904

Welcome to use this T-Box car sharing control system. This product is with Can Bus Module, GPS module and GSM module, that has many new and unique functions, such as can bus reading car information & control, internet & sms & blue tooth control lock / unlock / finding / flashing etc. It has OBD II interface wire harness, it is easy to install. Also it has built in battery for power down alarm, shock alarm, door open alarm etc. This device suit for personal car control, car rent self-service control, car sharing control, vehicle gps tracking.

Visit <https://www.999gps.com> website with mobile phone or PC browser, use FaceBook account authorized login, no complex registration necessary, use customer's Facebook account login is OK. After login scan the QR code on the device can add the device to this account, one account can add over one device, select device can control different car, one device only can add only one account.

Note: the firmware of the device is different for the different car model, if the firmware is not suit for the car, the device only can tracking, can not control the car.

In the website page can control & track the car, also history tracking can be play back. The detail manual can read & download on the <http://d.999gps.com>

The device use 2G GSM card, every month it will cost less than 30M data, recommended order a data package to save money.

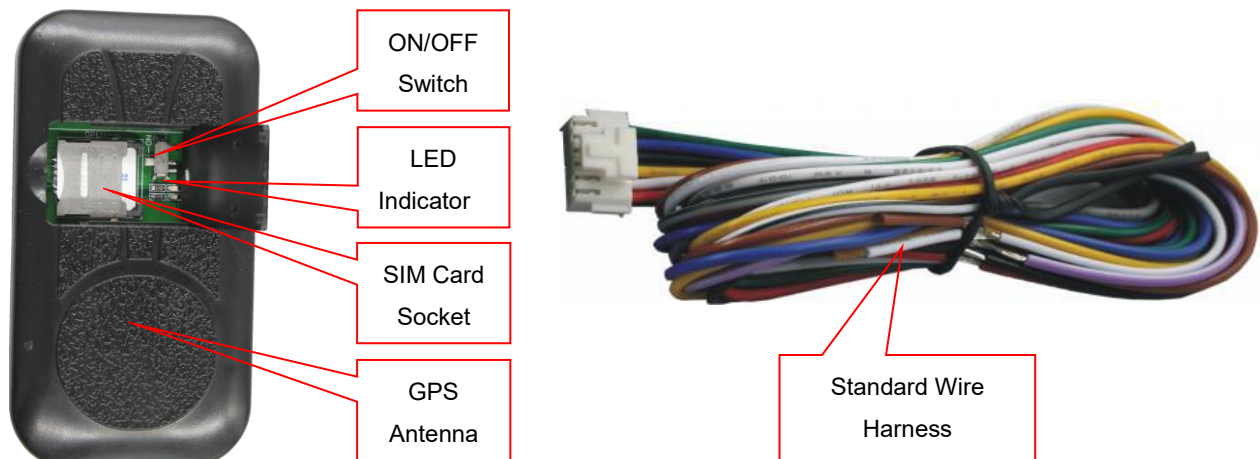
This device can directly connect to client private server to receive data and control, the protocol is opened, please contact us to get the protocol.



<https://www.999gps.com>

## 1. Product Picture

CC-318



## 2. Product Specification

- 4 band global 2G GSM frequency;
- App/Website/SMS control lock unlock siren light & start engine etc.
- Fast GPS locating with A-GPS function;
- Open protocol and protocol can be customized by client;
- Connect to client private server or use our open API platform server;
- Built in G-sensor for shock alarm car security;
- Built in G-sensor can record driving behavior;
- Wiring output control can suit almost all model vehicles;
- GPS or BEIDOU or GLONAS module can be selected;
- GPS / GPRS power saving intelligent control;
- Car battery voltage detection for battery low alarm;
- Gasoline, Electronic, Hybrid vehicle can be used;
- Cars, Trucks, Vans, Touring Cars all can be used;
- Backup battery can be selected;
- System hardware & software can be customized;
- App or server software can be customized;
- Wide working voltage(9-36V)
- Suit for car rent car sharing control or personal car control;

## 3. System LED Indicator

GREEN LED Flash once	: GSM & GPS working well
GREEN LED Flash twice	: GSM working well and no GPS signal
GREEN LED Flash three times	: GSM & GPS working well but battery low
GREEN LED Flash four times	: GSM working well, battery low and no GPS signal
GREEN LED ON continuously	: GSM searching network
GREEN LED OFF	: Power off

RED LED Flash once : uploading tracking is ok  
RED LED Flash twice : can not upload tracking

**In the following content, all the SMS content is mark by “” , and this “” is not include in the SMS content, it is only to used to mark the SMS content.**

## 4. Before Using

### 4.1 Install SIM card (Micro SIM Card)

This tracker use 2G GSM Micro sim card, open the SIM card room cover, the SIM card holder can be seen, slide the metal cover to “OPEN” direction to open the sim card holder, press SIM card to the SIM card holder (pay attention to the SIM card direction), press and slide the metal cover to “LOCK” direction to lock the SIM card.



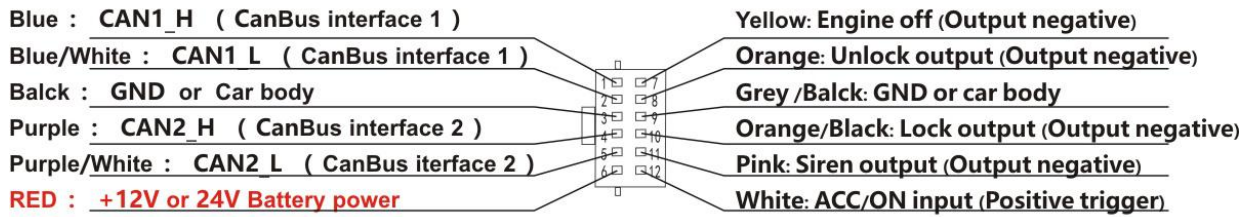
#### Note:

- 1> This tracker use 2G GSM network, and it upload tracking only through internet, it can not work in CDMA network. (Many 4G SIM card have 2G GSM network, this kind of SIM card can be used in this tracker).
- 2> Enable the SIM card data service (some SIM card need send SMS or USSD command to enable GPRS function), order a data package (20-30M/month) can save data charge (Normally most of the tracker every month data cost is lower than 20MB).
- 3> Before installing or uninstalling the SIM card, please power off the tracker.

### 4.2 Installation

For CC-318, the tracker uses the 9-36V DC power supply, it is necessary connecting to car battery all the time, after the backup battery is full, the built in recharging circuit will stop recharging, and if the tracker is not move, the tracker will go to power saving mode (GPS off, GPRS online), when the tracker begin to move, the tracker will back to normal working mode.

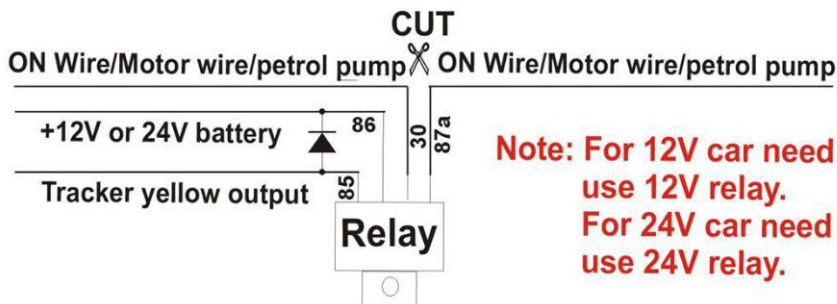
The standard wire suit for all the cars, the wire function description is as follow.



RED -----12V/24V car battery

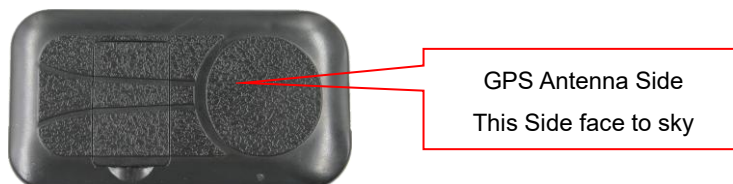
BALCK-----GND (Car Body)

Yellow wire: The power-off output can be used to control the car starting motor or oil pump motor line or ON line, etc. Please note a 30A relay need to connect to the yellow wire to control the car off. The power-off output is an open-circuit negative output (load current 500mA), which can only drive the relay and cannot be directly connected to the circuit of the car. The relay is connected as shown below:



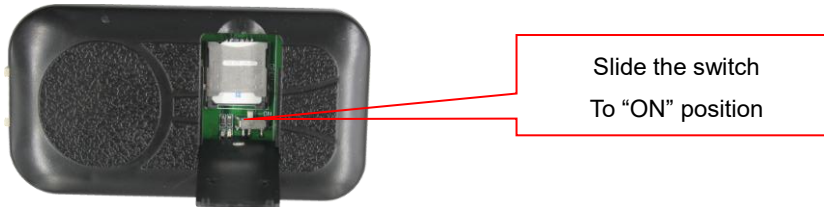
**Attention: Turning off engine is very dangerous when car is driving, this will make the car difficult to control and maybe cause a accident, so we recommend make the relay cut the start motor wire, this will make you can not remote turn off car engine, but you can make the car engine can not be started**

For car security the tracker need be installed in hidden place, normally the back of the seat or arm rest box or under the back window or room on the panel etc. please note that the install location of the tracker must can receive the GSM & GPS signal, the GPS antenna need face to sky to receive the GPS signal, before recovery the cover panel please confirm the tracker can locate after installation, if the location is not right and lost points very often, please try to change a place to install.



### 4.3 Power on / off

Open SIM card room cover with finger, slide the switch to the ON position (please refer the following diagram), in the direction of the arrow , the tracker will power on, if the tracker battery is low, the power & GND wire connect to car battery is OK, after the tracker is powered on, the LED will flash, if the Green LED flash once every 4 seconds, it means the tracker work well, please refer the above detail LED flash indicator.



### 4.4 Internet Vising APN & User Name and Password

Most SIM card need set APN and user name & password to visit the internet, then the tracker can upload the location to server, send SMS to tracker can set the APN and username & password, call the tracker SIM card supplier to get the APN and user name & password, send SMS "APN\*12345678\*apnname" to set APN, 12345678 is the tracker device password, apnname is the SIM card data service APN name, the device will reply SMS "APN: apnname". Send SMS "USERNAME\*12345678\*username\*password" to set username & password, username is the internet visiting account name, password is the account password, the device will reply "USERNAME: username, PASSWORD: password".

Note: if the SIM card in the device is M2M card that has not SMS service, the device can not receive SMS, then please put a normal SIM card into the device to set the APN and username & password first, and then change the M2M card back to device.

### 4.5 Back Up Battery & Power Down Alarm:

When the tracker power supply is off or the voltage is too low, the tracker will send power down alarm SMS to the authorized number. This means the tracker power is removed or the tracker is removed, please confirm.

### 4.6 Back to Factory Setting

Send the SMS command to the tracker can reset the tracker setting to the factory mode (just like new tracker). The SMS command is FACTROY\*12345678. FACTORY is command, 12345678 is tracker password.

### 4.7 Using Condition

The working temperature is -20°C to 60°C, over this range the specification maybe can not reach the standard level. the storage temperature can reach to -40°C to 80°C.

## 5. Simply Using Step

1. First to buy a 2G GSM mobile phone SIM card and enable data service, order a data package 20-30M (Normally most of the tracker every month data cost is lower than 20MB), install in the tracker, please refer above to install SIM card, Some SIM card need send SMS to active internet data service, please call the SIM card supplier to confirm.

2. Connect the tracker power wire to the car battery and switch the ON/OFF to on position, the Green LED will be on continuously, the tracker is powered on, put the tracker outdoor for easy get GPS & mobile phone network signal.

3. send SMS to tracker can set the APN and username & password, call the tracker SIM card supplier to get the APN and user name & password, send SMS "APN\*12345678\*apnname" to set APN, 12345678 is the tracker device password, apnname is the SIM card data service APN name, the device will reply SMS "APN: apnname". Send SMS "USERNAME\*12345678\*username\*password" to set username & password, username is the internet visiting account name, password is the account password, the device will reply "USERNAME: username, PASSWORD: password" .

4. Check LED flash, If Green LED flash once means mobile phone and GPS signal are well. And Red LED flash once means the location has been uploaded to the server.

5. Visit & login the tracking platform <https://www.999gps.com> with mobile phone or PC explorer, login with client personal FaceBook account, add the device to the account and then the device location will display on the map and can be controlled by click the icon.

## **6. Locate Operation**

### **1. Lock / Unlock by sending SMS**

Send SMS "LOCK\*12345678" to tracker, "LOCK" is a command, "12345678" is password, the tracker will send back the information "Lock" to indicate the operation is success, the tracker will output a 0.7 seconds negative pulse signal on the Original with Black wire to drive the original car lock circuit.

Send SMS "UNLOCK\*12345678" to tracker, "UNLOCK" is a command, "12345678" is password, the tracker will send back the information "Unlock" to indicate the operation is success, the tracker will output a 0.5 seconds negative pulse signal on the Original wire to drive the original car unlock circuit.

### **2. Find Car with Sound by sending SMS**

Send SMS "FIND\*12345678" to tracker, "FIND" is a command, "12345678" is password, the tracker will send back the information "Finding Car" to indicate the operation is success, the tracker will output 4 negative pulse signal on the Pink wire to drive the original siren circuit.



### 3. Arm / Disarm by sending SMS

Send SMS "ARM\*12345678" to tracker, "ARM" is a command, "12345678" is password, the tracker will send back the information "Set Shock Alarm ON" to indicate the operation is success and go to arm state, the tracker will output a 0.7 seconds negative pulse signal on the Original with Black wire to drive the original car lock circuit.

After go to shock alarm state, the system will check shock sensor, if the shock sensor is trigger (**only continuously shock can trigger the shock alarm to avoid trigger by mistake**), the tracker will send alarm and location information by SMS to the authorized phone number, and send the alarm information to the website server, also the tracker will call the authorized number A first, if no answered then B and C, if 3 authorized all no answered, then stop calling, If the tracker is triggered continually, every authorized phone will receive max 3 alarm SMS per hour.

The shock alarm SMS is as follow:

Shock Alarm

<https://maps.google.com/maps?q=+40.756441,-73.986378>

Send SMS "DISARM\*12345678" to tracker, "DISARM" is a command, "12345678" is password, the tracker will send back the information "Set Shock Alarm OFF" to indicate the operation is success and disable the shock alarm, the tracker will output a 0.5 seconds negative pulse signal on the Original wire to drive the original car unlock circuit..

### 4. Remote Turn Off Car Engine (Cut Oil Power)

Send SMS "FREEZE\*12345678" to tracker, "FREEZE" is a command, "12345678" is password, the car engine will be turned off immediately. The tracker will send back information "Turn Off Car Engine Success", if the password is not right, the operation is fault, the tracker will send back information "Wrong Password".

The engine cut command need add a rely to execute, the tracker have a output engine cut wire, when the tracker turn off the engine, the engine cut wire will output a negative signal continuously, use the the relay to control engine power supply or petrol pump power supply can turn off the car engine. The output current of the engine cut wire is smaller than 500mA, and a diode is necessary to add to protect the tracker driving wire, the wire diagram please refer the above.

**Attention: Turning off engine is very dangerous when car is driving, this will make the car difficult to control and maybe cause a accident, so we recommend make the relay cut the start motor wire, this will make you can**

not remote turn off car engine, but you can not start car engine after you turn off the engine.

### **5. Cancel Turn Off Car Engine Command**

Send SMS "RELEASE\*12345678" to tracker, "RELEASE" is a command, "12345678" is password, the output of the tracker engine cut wire will change to open, then user can start engine later. The tracker will send back information to indicate the turn off engine command has been disabled, if the password is not right, the operation is fault, the tracker will send back information "Wrong Password".

Also the command and "RESET\*12345678" command can disable turn off car engine.

## **7. Tracker Setting Command**

### **1. Add / Delete / Check authorized number:**

The authorized phone number is used to send alarm information by SMS, or use mobile phone to locate the tracker without platform, if the authorized phone number is not set, then the alarm information can not send to user by SMS (alarm, battery low, SOS, etc). The Add command please see "Basic Locate Operation & Setting".

#### **Add authorized phone number**

Send SMS "ADDPHONE\*12345678\*A\*number"(Not including the quotation marks " ", Number means the telephone number you want preset, the following is same) to tracker is OK, "ADDPHONE" is a command; "12345678" is password; "A" is authorized number location, every tracker have 3 authorized phone number locations, A and B, and C, so you can set 3 phone numbers, if the add operation is success, the tracker will send back the information "Add Preset Phone OK", if the password is not right, the operation is fault, the tracker will send back information "Wrong Password".

#### **Delete authorized phone number by SMS**

Send SMS "DELETEPHONE\*12345678\*A" to the tracker, "DELETEPHONE" is a command; "12345678" is password; "A" is authorized phone number location, there are 3 locations "A" and "B" and "C"; if the delete operation is success, the tracker will send back the information "Delete Preset Phone OK", if the password is not right, the operation is fault, the tracker will send back information "Wrong Password".

#### **Check authorized phone number by SMS**

Send SMS "CHECKPHONE\*12345678" to tracker, "CHECKPHONE" is a command; "12345678" is password; if the operation is success, the tracker will send back the information "Preset Phone A:13987654321; B:13876543210; C:13765432100", the phone number is just an example. if the password is not right, the operation is fault, the tracker will send back information or "Wrong Password".



## **2. Change / Check Tracker Password**

The tracker password is used to protect the tracker only can be operated by owner, every SMS command need follow tracker password, the default tracker password is 12345678, for higher security please change the tracker password.

### **Change tracker password**

Send SMS "CHANGEPASSWORD\*12345678\*11223344" to tracker, "CHANGEPASSWORD" is a command; "12345678" is old password; "11223344" is new password; if the operation is success, the tracker will send the information " New Password: 11223344" to every preset phone number, if the password is not right, the operation is fault, the tracker will send back information "Wrong Password".

Note: Only The authorized phone can change the password.

### **Check tracker password**

Send SMS "CHECKPASSWORD" to the tracker, "CHECKPASSWORD" is a command, if the operation is success, the tracker will send back the information "Password:11223344"; "11223344" is an example.

Note: Only The authorized phone can check the password.

## **3. Beep ON/OFF when Lock / Unlock:**

Send SMS "BEEPON\*12345678" to tracker, in which, "BEEPON" is the fixed command and "12345678" is the password. Having successfully been made, a reply sms to indicate the siren will beep when the car is locked or unlocked.

Send SMS "BEEPOFF\*12345678" to tracker, in which, "BEEPOFF" is the fixed command and "12345678" is the password. Having successfully been made, a reply sms to indicate the siren will not beep when the car is locked or unlocked.

## **4. Alarm Notice by Calling ON/OFF:**

Send SMS "CALLON\*12345678" to tracker, in which, "CALLON" is the fixed command and "12345678" is the password. Having successfully been made, there will be a reply sms to indicate the alarm will be noticed by making a call. Send SMS "CALLOFF\*12345678" to tracker, in which, "CALLOFF" is the fixed command and "12345678" is the password. Having successfully been made, there will be a reply sms to indicate the alarm will not be noticed by making a call. If the alarm notice is set to CALLOFF, then the tracker only sending sms or sending information to platform when the alarm is triggered.

## **5. Alarm Notice by SMS ON/OFF:**

Send SMS "SMSON\*12345678" to tracker, in which, "SMSON" is the fixed command and "12345678" is the password. Having successfully been made, there will be a reply sms to indicate the alarm will be noticed by sending a sms. Send SMS "SMSOFF\*12345678" to tracker, in which, "SMSOFF" is the fixed command and

“12345678” is the password. Having successfully been made, there will be a reply sms to indicate the alarm will not be noticed by sending a sms. If the alarm notice is set to SMSOFF, then the tracker only making a call or sending information to platform when the alarm is triggered.

## **6. Set GPRS Mode: KEEPONLINE / SHOCKCONTROL**

Send SMS “KEEPOPONLINE\*12345678” (Keep online all the time even the tracker stop moving) or “SHOCKCONTROLGPRS\*12345678” (Turn off GPRS after the tracker stop moving 10 minutes) to the tracker, “KEEPOPONLINE” or “SHOCKCONTROLGPRS” is a command, “12345678” is the tracker password, if the operation is success, the tracker will send back the information “GPRS: Keep Online” or “GPRS: Shock Control”, if the password is not right, the operation is fault, the tracker will send back information “Wrong Password”. the default setting is Shock Control, when the tracker begin to move, the tracker begin upload the tracking, the tracker status on the platform will change to online immediately. if the tracker stop moving, the tracker will stop upload the tracking and turn off GPS & GPRS to go to sleep mode , a few minutes later the tracker status on the platform also will change to offline.

If the tracker is always online, the tracker will send tracker status to platform all the time, but this will cost more data charge and car battery power, and if the car will park long time or the car battery is old, this maybe cause the car battery power low and can not start car engine, this working mode is not recommended .

## **7. Set the upload time interval**

The GPS location information upload time interval can be set from 30 to 999 seconds. Send SMS “INTERVAL\*12345678\*xxx” to tracker, “INTERVAL” is a command, “12345678” is password, “xxx” is the interval time, which can be set from 30 to 999 seconds. The tracker will send back information “Set Interval xxx OK”, if the password is not right, the operation is fault, the tracker will send back information “Wrong Password”. 30 seconds is the default interval time. Longer upload interval time can save battery and GPRS data cost, but this will make the total mileage to more error.

## **8. Set APN & GPRS user name & password**

This tracker use GPRS to upload the information to internet server, most SIM card need active GPRS service first by SMS, the tracker can configure APN automatically after power on according different SIM card, if the APN & GPRS user name password are not right, the tracker can not upload location to platform (Red LED will flash twice, and the location can not update on the platform), then you need sending SMS to tracker to change them manually, please confirm the auto configuration of APN & GPRS user name password is right, call your tracker SIM card mobile phone company to get the APN & GPRS setting, sending SMS “CHECK\*12345678” to the tracker can check the current APN & GPRS auto setting. if the APN & GPRS are not right, please set by the following description.

Send SMS "APN\*12345678\*apnname" to the tracker, in which, "APN" is the fixed command, "12345678" is the password and "apnname" is the APN name of a mobile phone company. Having successfully been made, there will be a SMS "APN: apnname".

Send SMS "USERNAME\*12345678\*username\*password" to the tracker, "USERNAME" is a command, "12345678" is the password of the tracker; "username" is the mobile company GPRS user name, "password" is the mobile company GPRS password, if the operation is success, the tracker will send back the information "Username:username, Password:password", if the password is not right, the operation is fault, the tracker will send back information "Wrong Password".

### 9. Set Platform Server IP or Domain Name

Send SMS "IP\*12345678\*58.64.155.133,8011" or "WEB\*12345678\*d3.igps.info,8011"to the tracker, in which, "IP" or "WEB" is the fixed command, "12345678" is the password and "58.64.155.133,8011" is the IP of the server. "d3.igps.info,8011" is the domain name and port of the of the server, Having successfully been set, there will be a SMS "IP: 58.64.155.133,8011". However, the IP address may be changed with the upgrade of our server, so please see to the notices on our website.

[Notice: The tracker IP address has been set to default : 58.64.155.133,8011 in factory, it is not necessary to set again, unless our IP address has been changed or user need upload the location to other server, If our server IP is changed, we will notice on the website.](#)

### 10. Check Tracker Current Setting

Send SMS "CHECK\*12345678" to tracker, "CHECK" is the fixed command, "12345678" is password. The tracker will send back information including software version, ID S/N number, IP address, authorized phone number, GPS and GSM signal etc. if the password is not right, the operation is fault, the tracker will send back information "Wrong Password". The following is an example :

V Mar 08 2018,CC888,803201700581688,d3.igps.info,58.64.155.133,8011,30,A:13987654321,  
B:13876543210,GPS OK,GsensorValue:4,ShockControlGPS,WCDMA-65dBm,ShockControlGPRS,CMNET,  
User, Password,46000,e1d/24a0,93%

V Mar 08 2018,	;Software version date
CC888,	;TCP/IP Protocol name
803201700581688,	;ID number
d3.igps.info	;Server Domain Name
58.64.155.133,8011,	;Server IP & Port

30,	;Uploading time interval is 30 seconds
13987654321,	;Authorized number (A/B/C)
GPS OK,	;GPS status
GsensorValue:4	;GsensorValue form(0-255) defalut:4
ShockControlGPS,	;GPS module shock control
WCDMA	;Current network is WCDMA
-65dBm,	;mobile phone network signal strength
ShockControlGPRS,	;Uploading is controlled by shock sensor
CMNET,	;APN name
User,	;GPRS user name
Password,	;GPRS password
46000,	;Sim Card MCC+MNC
e1d/24a0,	;Current Cell ID
Battery:88%	;Battery

Note: This command usually be used to check the tracker current status & configuration, if the tracker can not work well, this command can check what the problem is.

### 11. Re-power On & Reset Tracker

Send SMS "RESET\*12345678" to tracker, "RESET" is a command, "12345678" is password. The tracker will send back information "Reset Tracker and cancel all alarm setting", if the password is not right, the operation is fault, the tracker will send back information "Wrong Password".

The tracker will power off and then power on automatically, this will take a few minutes, and then cancel all the alarm setting in the tracker, including shock alarm, turn off car engine etc.

### 12. Back to factory configuration

Send SMS "FACTORY\*12345678" to tracker, "FACTORY" is the fixed command, "12345678" is password. The tracker will send back information "Set factory setting OK", if the password is not right, the operation is fault, the tracker will send back information "Wrong Password".

After this, The tracker will cancel all the alarm setting in the tracker, including shock alarm, move alarm, geo-fence alarm, over speed alarm, delete all the authorized phone number, delete the APN and GPRS user name and password, change the tracker password to 12345678, reset the IP address, reset the system working mode and the interval time, and so on.

1> If forgot the password, you can not reset by the SMS command.

2> After back to default set, if the IP/APN/GPRS name & password are changed manually, you need set these again by sending SMS.

## 8. SMS Command List

Function	SMS Content	Reply	Notes
Lock door	LOCK*12345678	Lock	Any mobile,reply to sending mobile
Unlock door	UNLOCK*12345678	Unlock	Any mobile,reply to sending mobile
Lock & Arm	ARM*12345678	Arm	Any mobile,reply to sending mobile
Unlock & Disarm	DISARM*12345678	Disarm	Any mobile,reply to sending mobile
Flashing car	LIGHT*12345678	Flashing Light	Any mobile,reply to sending mobile
Sounding car	FIND*12345678	Finding Car	Any mobile,reply to sending mobile
Locate with url	URL*12345678	Location Google Map	Any mobile,reply to sending mobile
Freeze engine	FREEZE*12345678	Car engine freeze	Any mobile,reply to sending mobile
Release engine	RELEASE*12345678	Car engine release	Any mobile,reply to sending mobile
Change device password	CHANGEPASSWORD*12345678*11112222	Password:11112222	Any mobile,reply to sending mobile
Beep on	BEEPON*12345678	Beep on	Any mobile,reply to sending mobile
Beep off	BEEPOFF*12345678	Beep off	Any mobile,reply to sending mobile
Alarm calling on	CALLON*12345678	Alarm call on	Any mobile,reply to sending mobile
Alarm calling off	CALLOFF*12345678	Alarm call off	Any mobile,reply to sending mobile
Alarm sms on	SMSON*12345678	Alarm SMS on	Any mobile,reply to sending mobile
Alarm sms off	SMSOFF*12345678	Alarm SMS off	Any mobile,reply to sending mobile
Keep Online	KEEPONLINE*12345678	Keep Online	Any mobile,reply to sending mobile
Shock control online	SHOCKCONTROL*12345678	Shock control online	Any mobile,reply to sending mobile
Set shock sensor	GSENSOR*12345678*50	SET G sensor OK	Any mobile,reply to sending mobile
Upload interval	INTERVAL*12345678*xxx	Interval: xxx s	Any mobile,reply to sending mobile
Set APN	APN*12345678*Apnname	APN:Apnname	Any mobile,reply to sending mobile
Set IP or domain	IP*12345678*ipordomain,port	IP or domain & port	Any mobile,reply to sending mobile
GPRS user name & password	USERNAME*12345678*username*password	GPRS username:xx, Password:xxx	Any mobile,reply to sending mobile
Reset system	RESET*12345678	Tracker reset	Any mobile,reply to sending mobile
Back to factory	FACTORY*12345678	Recover to factory	Any mobile,reply to sending mobile
Set master password	MASTERPASSWORD*12345678*12345123	Car owner password: 12345123	Any mobile,reply to sending mobile
Change Device ID	CHANGEID*12345678*888123456123456	New ID:888123456123456	Any mobile,reply to sending mobile
Check ID,IP & Software ver	ID*12345678	ID/IP/Port/Software ver	Any mobile,reply to sending mobile
Check car status	CHECK*12345678	Device information	Any mobile,reply to sending mobile
Main Upgrade	UPGRADEMAIN*12345678*112.95.126.105,8011	Upgrade main starting!	Any mobile,reply to sending mobile, need turn off engine to upgrade.

## 9. Platform Operation Guide

The platform operation please refer the platform operation guide, use mobile phone or PC explorer to visit website <https://www.999gps.com>, login with personal FaceBook account to login, add the tracker to the account, it is easy to use and control.

## 10. Notes & Trouble Shooting:

1. Please install the SIM card properly, otherwise the tracker can not find mobile phone network signal, the Green LED will keep ON .
2. This tracker use 2G GSM network, and it upload tracking only through internet, it can not work in CDMA, some 4G SIM card can be used in 2G GSM network, then this kind of 4G SIM card can be used in this tracker.
3. The antenna of GPS is built in, please note that the install location of the tracker need receive the GPS signal, normally the back of the seat or in the door post or in the roof post or under the back window or under the panel etc. please leave away the tracker from big metal, make the top of the GPS antenna face to heaven, and keep away from the magnetic components.
4. The tracker built in rechargeable backup Li battery, recharge one time can use about half an hours, normally the tracker connect to the car battery all the time, this can keep the tracker has power supply continuously, and the charging circuit will stop after the battery is full.
5. The GPS need 10-200 seconds to locate the position, when the GSM signal is weak or the network is very busy, the SMS maybe delay to send by the GSM network, this is normal.
6. The tracking data on our server will keep 3-6 months, the old data will be deleted.
7. The tracker auto power off: please confirm the tracker power supply is well connected to car battery and the power fuse is well.
8. After power on the tracker, the tracker GREEN LED keep on, and it has not any repose, please confirm the SIM card has been installed properly, and the SIM card has enough charge, and the internet data service is enable, and the mobile phone can work well in that place. If the tracker work well the Green LED will flash once or third times every 4 seconds (First power on, recharging the battery will delay the first locating 5-30 minutes).
9. If the tracker can not upload location to website, please confirm the SIM card data service is



enable, and confirm the APN or GPRS username & password is right (Send SMS “CHECK\*12345678” to check auto configure, and call the mobile phone hot line to confirm the right APN and User name & password). if the tracker do not move, the tracker will not upload tracking, try to move the tracker in the open air (Indoor room can not receive GPS signal) .

10. If the tracker can not send back information by SMS, please confirm the SIM card has enough money, and has ID caller display function and SMS service function, and please read the SMS information of the tracker sending back, and check the instruction & password is right or not.
11. After go out the under ground park, the GSM and GPS module will take a few minutes to receive signal and re-locate, some tracking maybe lost, this is normal.

### Specification:

Working Voltage	7-36V DC	GSM Frequency	850/900/1800/1900 MHz (Global)
Communication Module	MC20	GPS Chip Set	MTK
Locate precision	5-10 Meters	2G / GPS Antenna	Internal / Internal
GPS Hot Start Time	1 second average	GPS Cold Start Time	36 seconds average
Tracking Current	<100mA /12V	Standby Current	< 10 mA /12V
Recharging Current	<100mA 5V	Battery	300mAh (Polymer)
Working Temperature	-20 °C to +55 °C	Absolute Working Temperature	-40 °C to +80 °C
Storage Temperature	-40 °C to +80 °C		

### Packing list:

The main unit	1 pcs	
The user manual card	1 pcs	Print
10P Wires	1 pcs	Power Input 7-36V

### Warranty

This system has been tested before sold. We strongly recommend you to get this system installed by professional. There is a one-year warranty except the following condition:

1. Installed, fixed, or changed by personally or unprofessional.
2. Warranty will eliminate if the ownership of the tracker has been changed.
3. Parts damaged by man-made.

4. Battery, adapter, wires, etc.

Warning: this device is just an auxiliary product that applying the location of current object, we have not any responsibility if you have damage or lost in using this tracker.

Customer Name			
Customer Phone		SIM card Number	
Model	CC-318	ID Number	
Purchase Date		Expired Date	
Distributor			

Notes: The explanation of this manual is belonged to us, some small changes may not be noticed, if you have any problem please contact us, thanks!